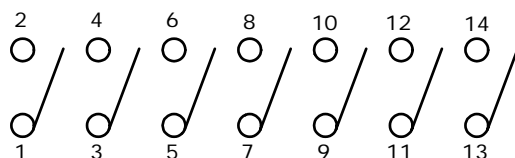


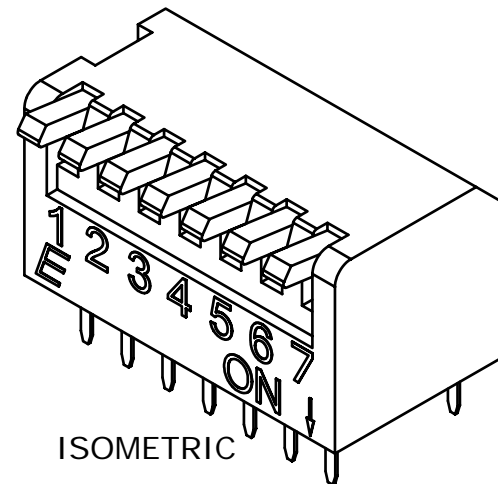
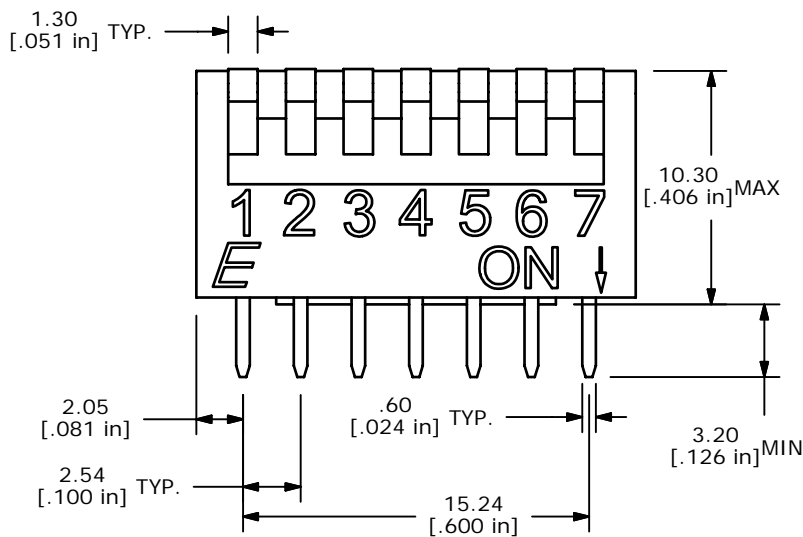
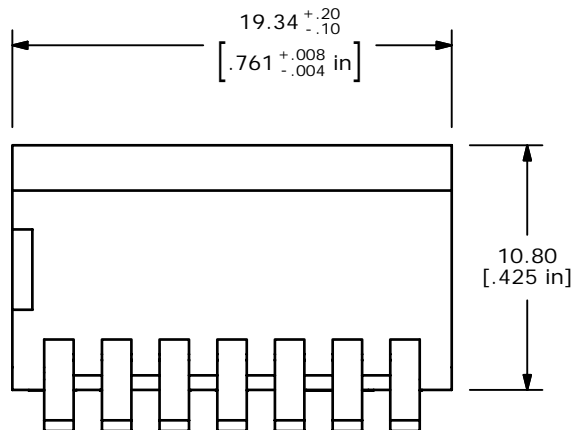
P.C.B. LAYOUT



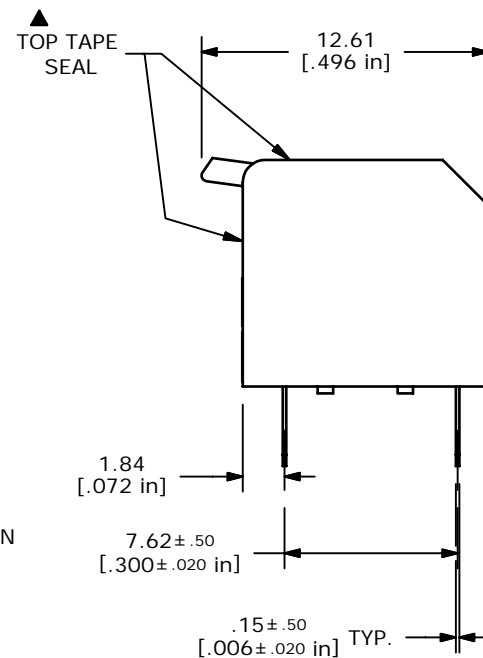
CIRCUIT LAYOUT

NOTES:

1. ALL DIMENSIONS IN MM [INCH]
2. GENERAL TOLERANCE: X.X=±0.4  
X.XX=±0.20
3. TERMINAL NUMBERS FOR REFERENCE ONLY
4. OPERATING FORCE: 1000gf MAX.
5. TRAVEL: 2.0mm TYP.
- ▲ 6. CONTACT RATING: 25mA, 24VDC
7. CONTACT RESISTANCE: 50mΩ MAX.
8. INSULATION RESISTANCE: 100MΩ MIN @ 500VDC
9. DIELECTRIC STRENGTH: 500V RMS 1 MIN.
10. LIFE: 2,000 CYCLES
11. OPERATING TEMPERATURE: -40°C TO 85°C
- ▲ 12. PACKAGING: 24 PCS PER TUBE
13. ▲ DENOTES CRITICAL PARAMETER
14. 2002/95/EC (ROHS) COMPLIANT



ISOMETRIC



A	17883	RELEASED FOR PRODUCTION	12/05/07	BLR
REV	PCR NO	DESCRIPTION	DATE	BY

THE INFORMATION CONTAINED IN THIS DOCUMENT IS PROPRIETARY TO E-SWITCH AND IS NOT TO BE COPIED OR TRANSFERRED

TITLE KAP1107ET				
SCALE	DATE	DR	DWG	REV
3:1	12/5/2007	BLR	N411046	A